

## 4" Space for Pocket on the Front Side (Visible).

No Critical text in this area. Background color and images are okay.

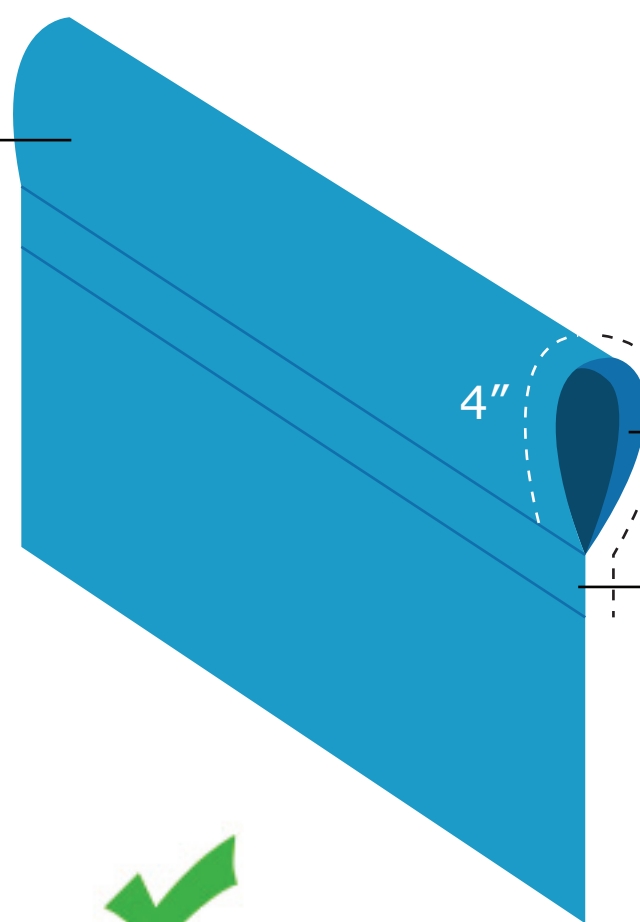
WIDTH



### Guideline Template for Pole Pocket Vinyl Banner

#### 4" Pole Pockets

Front side  
of the pocket  
(visible)



Back side  
of the pocket  
(not visible)

1" Tape on  
the back side

Front side  
of the pocket  
(no text here)



HEIGHT

← SAFE AREA - keep all text within this line.

← FINISH SIZE - size of banner you ordered (width x height).

#### Artwork setup instructions

<https://support.printpapa.com/kb/a469/pole-pockets-on-banners.aspx>

#### FILE PREPARATION

1. Set canvas size (image size) to real sign size in inches.  
(Example - if you are creating 3'x5' vinyl banner, set your canvas size to 36" inches by 60" inches.)
2. Set file resolution to 150 dpi (or greater).
3. Set Color Mode to CMYK (or RGB if CMYK is unavailable).
4. Include background color in your file.

## 4" Space for Pocket on the Front Side (Visible).

No Critical text in this area. Background color and images are okay.